



Thermostatic Steam Traps

VAC – 125 PSIG

Features

- All working parts are factory calibrated within the “Edison Element,” ensuring absolute uniformity of performance.
- 100% Factory tested under live steam and condensate
- Heavy Duty Cast Bronze Body
- Stainless Steel Valve & Seat
- Forged Brass Cover, Union Nut & Tailpiece
- Available in angle, straightway, vertical, left hand & right hand piping patterns.



Description

Edison Thermostatic Steam Traps are designed to prevent live steam from passing its point of use, while allowing air and condensate to be expelled from the steam supply into the return line.

All Edison Thermostatic Steam Traps are equipped with one-piece, self-contained “Edison Elements” that are 100% factory calibrated and tested, under live steam and condensate, to ensure uniform operation in the field. The one-piece, self-contained design allows for the ease of on-line repair. There are no piping connections that need to be broken, or multiple internal components to be removed. The body of the trap acts merely as a housing for the “Edison Element,” which performs the actual steam trap functions.

Operation

Edison Thermostatic Steam Traps are balanced pressure devices that use vapor pressure, within a diaphragm or bellows, to open and close a valve in a modulating manner, dependent upon the temperature surrounding it.

The trap is normally open to expel air and condensate. As saturated steam surrounds the unit, the volatile fill inside the element flashes into a vapor, creating an internal pressure that is equal to the surrounding steam pressure. This equalization of pressures allows the element to expand to its natural length or “closed position,” preventing steam from passing its point of use. The presence of condensate will cool the element and condense the vapor within, reinstating the vacuum, causing the element to retract to its open position; allowing the condensate to drain from the tap.

Materials

Part	
Cover	Brass, ASTM CDA 37
Body	Brass or Bronze
Element	Phosphor-Bronze & Monel
Gaskets	Non-Asbestos Fiber
Plug	Stainless Steel
Seat	Stainless, Brass

THERMOSTATIC LOW PRESSURE (RADIATOR) STEAM TRAPS

MATERIALS

Part	
Cover	Brass, ASTM CD 37
Body	Brass or Bronze
Element	Phosphor-Bronze & Model
Gaskets	Non-Asbestos Fiber
Plug	Stainless Steel
Seat	Stainless, Brass



CAPACITIES

Square Feet EDR

Trap	Pressure Differential (PSIG)									
	¼	½	1	1 ½	2	3	5	10	15	25
½" – 2ATL, 2STL, 2VTL, 2RH, 2LH	92	120	168	200	228	278	320	490	610	1270
¾" – 3ATL, 3STL	152	208	320	400	450	512	710	1040	1260	2400
1" – 4ATL	300	430	590	700	760	824	1200	1750	2200	4100

Note on Capacity: For use on low pressure heating applications, thermostatic traps are rated in square feet EDR (Equivalent Direct Radiation). One square foot EDR is equivalent to an output of 240 BTU/Hr. or 0.25 lbs. condensate.

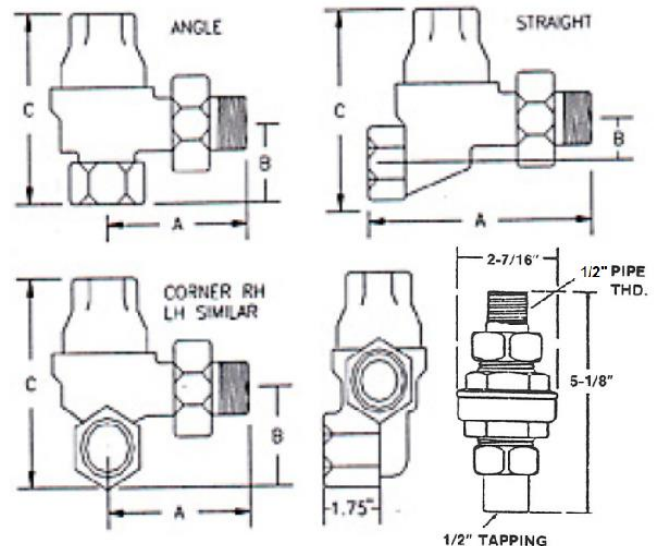
Lbs. Condensate Per Hour

Pressure Class	Pipe Size	Pressure Differential (PSIG)											
		¼	½	1	5	10	15	25	50	65	75	100	125
Vac-25 PSI	½"	45	80	160	460	670	820	1080	-	-	-	-	-
Vac-25 PSI	¾"	60	120	240	700	1040	1300	1710	-	-	-	-	-
Vac-25 PSI	1"	95	200	370	1210	1720	2300	2840	-	-	-	-	-
Vac-65 PSI	½"	45	80	160	460	670	820	1080	1460	1600	-	-	-
Vac-65 PSI	¾"	60	120	240	700	1040	1300	1710	2350	2600	-	-	-
Vac-65 PSI	1"	95	200	370	1210	1800	2210	2870	4060	4500	-	-	-
Vac-125 PSI	½"	45	80	160	460	670	820	1080	1460	1600	1700	1860	1960
Vac-125 PSI	¾"	60	120	240	700	1040	1300	1710	2350	2600	2750	3120	3320
Vac-125 PSI	1"	95	200	370	120	1800	2210	2870	4060	4500	4720	4720	5600

Note on Capacity: Capacities shown are at 10 degrees below saturated steam temperature and are the result of an extensive program conducted in accordance with ANSI/ASME PTC 39. 1-1980, Condensate Removal Devices for Steam Systems. Significantly greater capacities are realized when condensate temperatures are cooler than 10 degrees below saturation temperature.

DIMENSIONS

Size	Pattern	A	B	C
½"	Angle	2-7/8"	1-1/4"	3"
½"	Straight	4-1/2"	1-1/16"	3-1/8"
½"	Corner LH	2-7/8"	1-3/16"	3-1/8"
½"	Corner RH	2-7/8"	1-3/16"	3-1/8"
½"	*Vertical	5-1/8"	2-7/16"	-
¾"	Angle	3-1/8"	1-1/4"	3"
¾"	Straight	5-1/8"	1-3/8"	3-1/8"
1"	Angle	3-5/8"	1-11/16"	3-1/2"



*Also available with ¾" male threads on either or both ends.
Note: Overall length may vary.